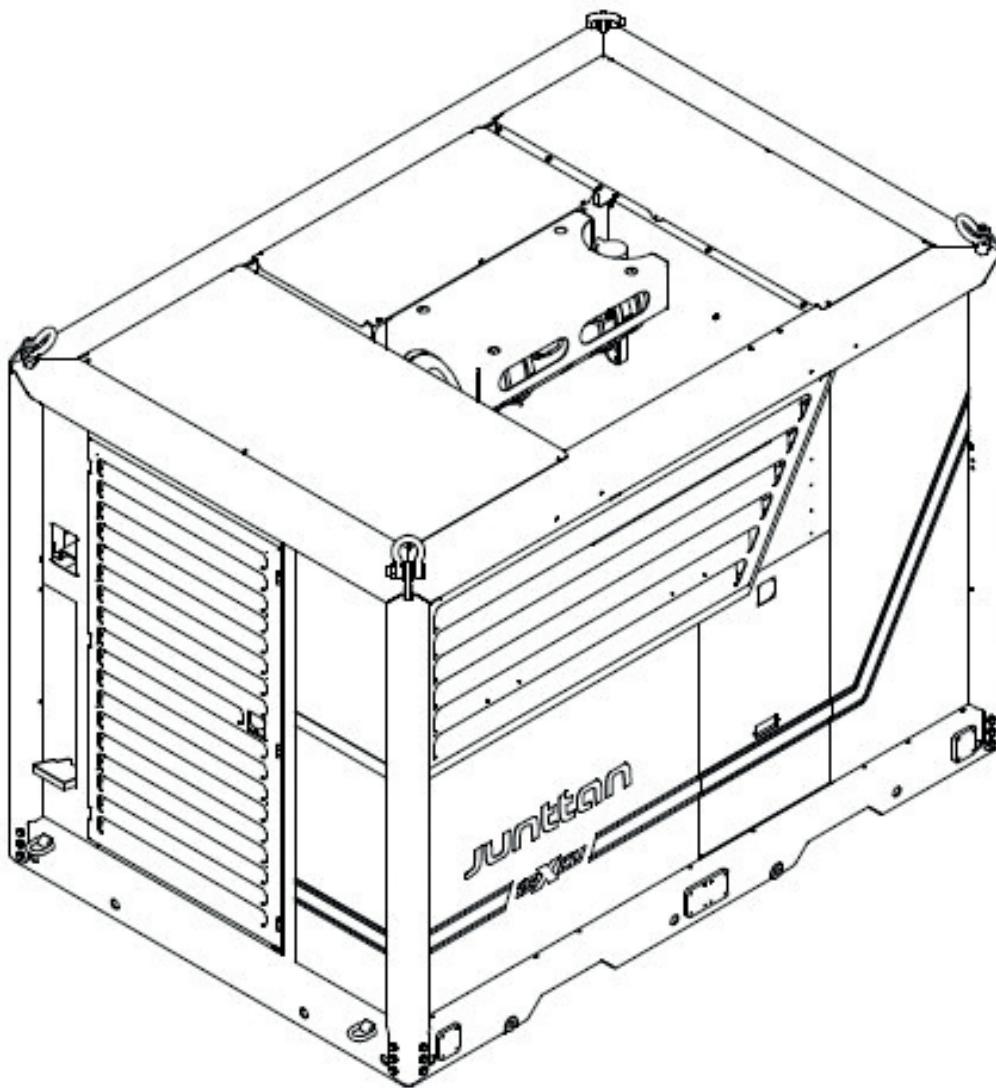


Junttan

Powerpack
15XCU



Original
Junttan
product

DATA SHEET

Technical Data

Basic Features

Nominal operational weight	5 900 kg	13 000 lb
Engine type	Cummins QSL9	Tier4i / Stage3B
Rated Power	283 kW	380 hp
Maximum Power	298 kW	400 hp
Max operating hyd pressure	350 bar	5 076 psi
Hydraulic Oil flow max.	2x400 l/min @ 2 000 rpm	2x105 qpm @ 2 000 rpm
Hydraulic oil reservoir	1 000 liters	263 gal
Fuel Capacity	660 liters	173 gal
Control system	X-control (pile cruise)	

Suitable Junttan Hammers

HHK14/16S and smaller

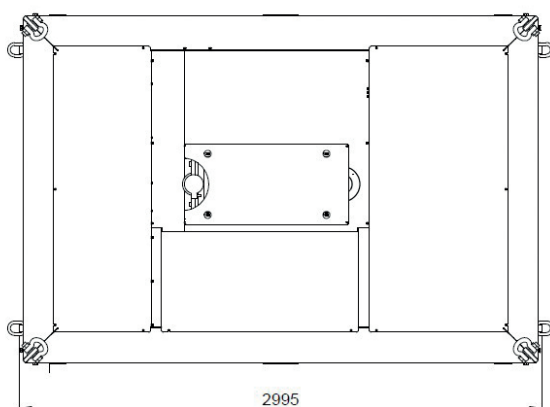
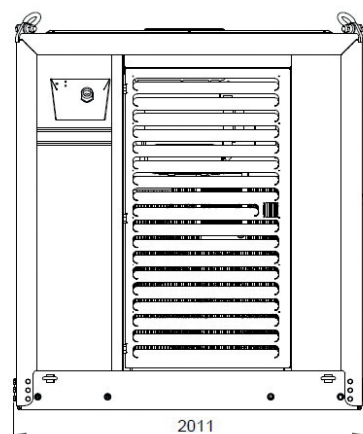
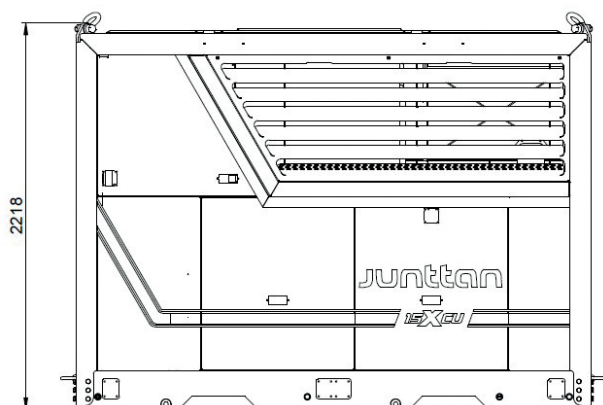
Accessories

*Arctic kit (Heats: batteries, engine, h-oil)

*Working platforms

*Vacuum pump (Hydraulic system)

Dimensions



Junttan

Junttan Oy
P.O. Box 1702 (Matkuksentie 7)
FI-70701 KUOPIO, Finland

Tel. +358 10 195 221
Fax +358 17 287 4411
junttan@junttan.com