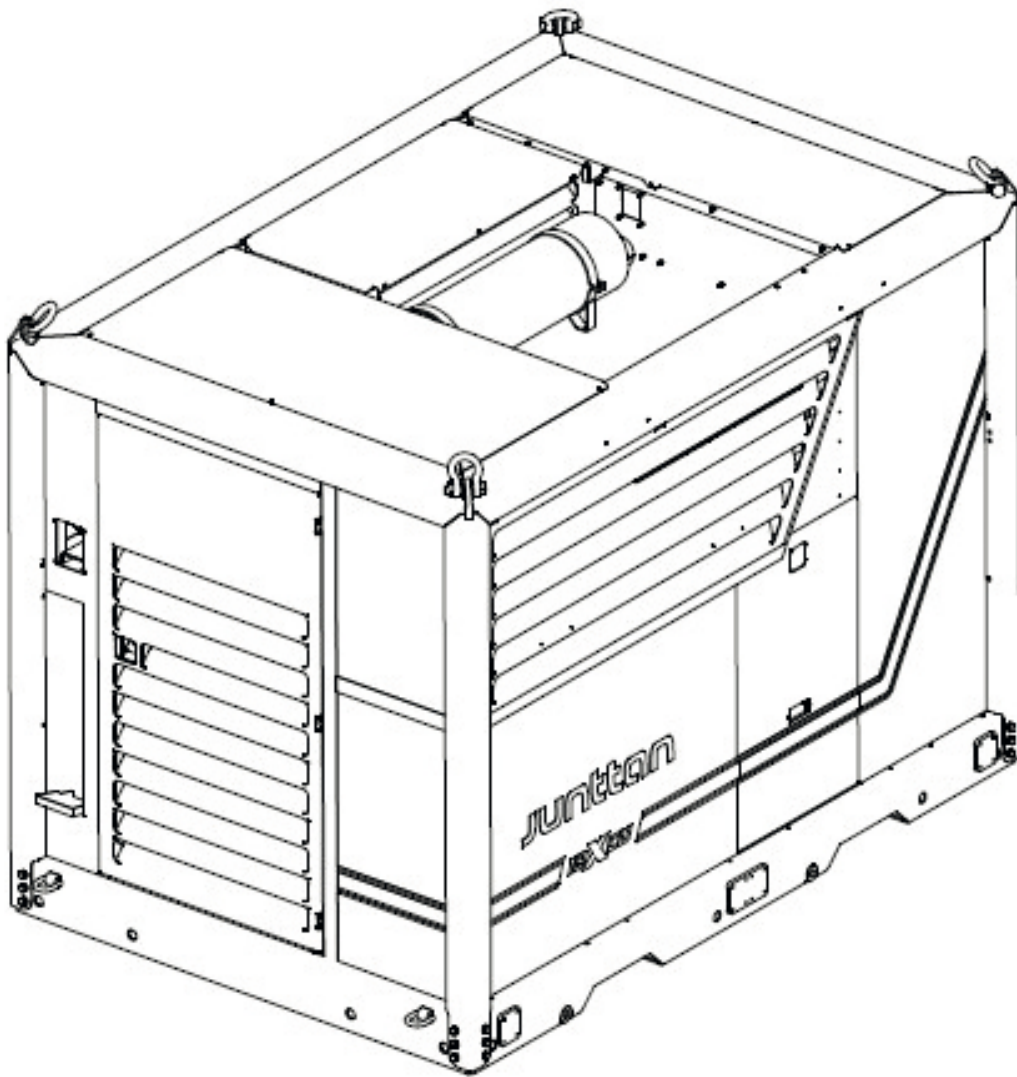


Junttan

Powerpack
10XCU



Original
Junttan
product

DATA SHEET

Technical Data

Basic Features

Nominal operational weight	5 500 kg	12 120 lb
Engine type	Cummins QSC8.3	Tier3 / Stage3A
Rated Power	227 kW	305 hp
Maximum Power	248 kW	333 hp
Engine type	Cummins QSL9	Tier4i / Stage3B
Rated Power	239 kW	320 hp
Maximum Power	254 kW	340 hp
Max operating hyd pressure	350 bar	5 076 psi
Hydraulic Oil flow max.	380 l/min @ 2 000 rpm	100 qpm @ 2 000 rpm
Hydraulic oil reservoir	1 000 liters	263 gal
Fuel Capacity	660 liters	173 gal
Control system	X-control (pile cruise)	

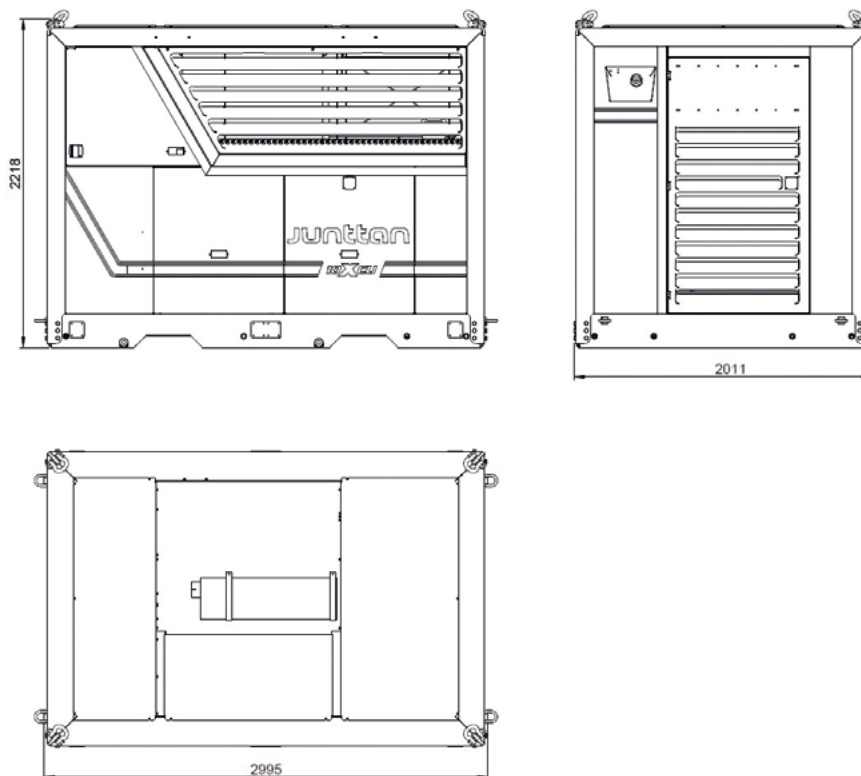
Suitable Junttan Hammers

SHK9 and smaller

Accessories

- * Arctic kit (Heats: batteries, engine, hydraulic oil)
- * Tropical kit (Extra cooler for hydraulic oil)
- * Working platforms
- * Vacuum pump (Hydraulic system)

Dimensions



Junttan

Junttan Oy
P.O. Box 1702 (Matkusentie 7)
FI-70701 KUOPIO, Finland

Tel. +358 10 195 221
Fax +358 17 287 4411
junttan@junttan.com