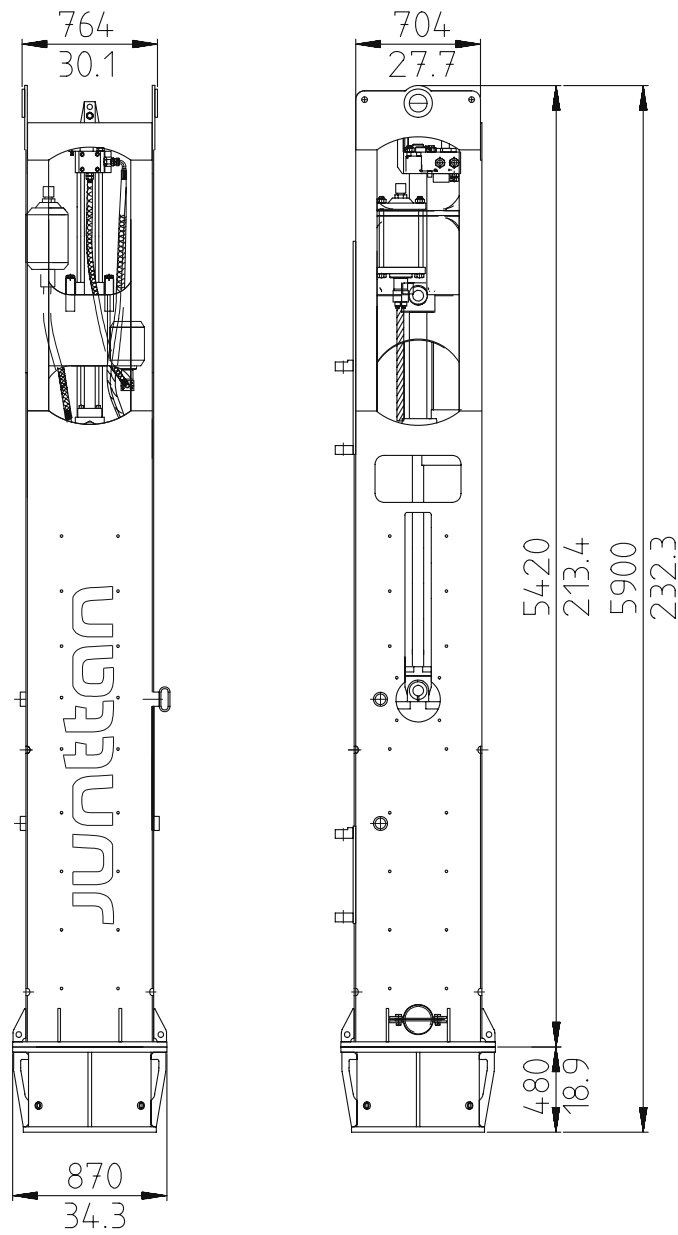


Hydraulic Impact Hammer

HHK5A (800)

HHK5/6A (800)



JUNTTAN HHK5A (800)

Max. energy		59 kNm	43 398 ft-lb
Max drop height		1,2 m	3.94 ft
Blows per minute		40 - 100	40 - 100
Ram weight		5 000 kg	11 023 lb
Total weight	including A-type drive cap	8 400 kg	18 519 lb
Oil flow		304 l/min	80 gpm
Operating pressure		176 bar	2 553 psi
Theoretical power output		89 kW	121 hp
Hoses			
	- pressure line	38 mm	1 ½ inch
	- return line	38 mm	1 ½ inch
Drive cap housing (std)	Ø:	800 mm	31.5 inch
Drive cap types	A-type:	for metal tubes	for metal tubes
	B-type:	for concrete piles	for concrete piles
Drive cap max. inner diameter	A-type:	Ø 770 mm	23.6 inch
	B-type:	□ 470 x 470	18.5 x 18.5
Larger drive cap diameters available on special request			
Suitable Piling Rigs		PMx20 - PMx25, PM23, PM25H	PMx20 - PMx25, PM23, PM25H
Suitable Powerpacks		10XCU, 15 CCU - 30 CCU	10XCU, 15 CCU - 30 CCU

Accessories

* Guide claws			* Lifting cat
* Extensions			* Flying leader
* Energy measurement device			* Additional noise insulation package
* Additional drive caps			* Powerpacks
* Pile sleeves			

Technical details with extensions

JUNTTAN HHK5/6A

6T

6T

Max. energy		71 kNm	52 078 ft-lb
Max drop height		1,2 m	3.94 ft
Blows per minute		40 - 100	40 - 100
Ram weight		6 000 kg	13 228 lb
Total weight	including A-type drive cap	9 600 kg	21 164 lb
Oil flow		304 l/min	80 gpm
Operating pressure		211 bar	3 060 psi
Theoretical power output		107 kW	145 hp
Suitable Piling Rigs		PMx20 - PMx25, PM23, PM25H	PMx20 - PMx25, PM23, PM25H
Suitable Powerpacks		10XCU, 15 CCU - 30 CCU	10XCU, 15 CCU - 30 CCU

Junttan

Junttan Oy
P.O. Box 1702 (Matkusentie 7)
FI-70701 KUOPIO, Finland

Tel. +358 10 195 221
Fax +358 17 287 4411
junttan@junttan.com