

PRELIMINARY



613E

Mobile telescopic crane



92 kW



16 t



24 m



MULTICAB

Tier IV emission standards

613E Advanced. The E-Series





1978: TX10 telescopic crane

What makes up the E-Series

- Over 25 years of experience in construction and building of highly specialized telescopic cranes
- Uncompromisingly high performance in all areas
- Technology that can be mastered: High-quality components without over-engineering
- Long service life and high value stability

Your top benefits:

- 1 Green Efficiency**
Save fuel – reduce operating costs
Work quietly – protect operator and environment 
- 2 Peak performance**
Robust boom system – work on an incline of up to 4°
- 3 Maximum usability**
MultiCab – work in comfort 
SENCON – work program selection made easy
- 4 Flexibility in service**
Operate under full load – less space required
Strong undercarriage traction – good off-road capability
- 5 Easy transport**
Mobile undercarriage with outrigger – ready to go in no time
No ballast support
- 6 Maintenance and service made easy**
SENNEBOGEN control system – easy error diagnostics
Simple maintenance – clear labeling
- 7 Consultation and support in your area**
3 production sites – 2 subsidiaries
130 sales partners – over 350 service stations





613E Technical data, equipment

MACHINE TYPE

Model (type) **613**

ENGINE

Model	FPT N45, 92 kW / 125 hp at 2,200 rpm Compliant with Tier 4f emission standards FPT N45, 92 kW / 125 hp at 2,200 rpm Compliant with Tier 3a emission standards Direct injection, turbo-charged, charge air cooling, reduced emissions
Cooling	Water-cooled
Diesel filter	With water separator and heating system
Air filter	Dry filter with integrated pre-separator, automatic dust discharge, main element and safety element, contamination indicator
Fuel tank	200 l
DEF tank	43 l
Electr. system	24 V
Batteries	2 x 155 AH
Options	<ul style="list-style-type: none"> ■ Low temperature package with engine pre-heating and heated diesel filter for temperatures below -20 °C ■ Electric diesel fuel pump

UPPERCARRIAGE

Design	Torsion-resistant box design, precision-crafted, steel bushings for boom bearings. Extremely service-friendly design, longitudinal engine
Electrical system	Central electrical distributor, battery disconnect switch
Cooling system	3-circuit cooling system with high cooling capacity, electronically regulated fan drive for water, charge air and oil cooler
Safety	Rearview and right sideview cameras, LED lighting package
Options	<ul style="list-style-type: none"> ■ Additional LED headlights ■ Up to 2 additional cameras ■ Maritime climate varnishing as corrosion protection ■ Low temperature package ■ Automatic central lubrication for boom pivot point, luffing cylinder, slewing ring track and winch drum bearing ■ Pinion tooth lubrication for slewing ring

HYDRAULIC SYSTEM

Pump unit mounted directly on diesel engine. Load sensing/ LUDV hydraulic system, electrohydraulic pilot-controlled work functions, load limit sensing control	
Pump type	Axial piston variable displacement pump. The independent, proportional allocation of the pump quantity allows several work functions to be controlled with precision simultaneously and independently from one another
Pump control	Zero-stroke control, speed-dependent adjustment of drive pump and axial piston regulator. Auxiliary functions via gear wheel pump.
Operating pressure	max. 330 bar
Filtration	High-performance filtration with long change interval
Hydraulic tank	180 l
Control system	Extremely smooth, automotive handling. Preselection using direction switch, inching braking pedal. Servo joystick operation for work movements.
Safety	Hydraulic circuits secured with safety valves. Pipe fracture safety valve for luffing and telescoping cylinders
Options	<ul style="list-style-type: none"> ■ Bio-oil – environmentally friendly ■ SENNEBOGEN HydroClean 3 µm hydraulic microfilter ■ Hydraulic tank preheater

SLEWING DRIVE


Gearbox	Compact planetary gear with hydraulic and electric rotor, integrated brake valves
Slewing gear brake	Spring-loaded disk brake, pedal for individual braking
Slewing ring	Oversized slewing ring, sealed. Highly precise, powerful slewing function.
Slewing speed	0-2 rpm , variable

613E Technical data, equipment

CAB MULTICAB	
Cab type	MultiCab, can be elevated 1.75 m
Cab equipment	Hydraulically elevating cab as standard. Flexibly mounted comfortable cab with super sound insulation. All-weather design, all-round glazing in safety glass and large roof window, adjustable windshield. Flexibly mounted comfortable seat, adjustable according to weight and shock-absorbent. Dashboard overview with swiveling steering column. Variable, controllable cab heating with air circulation stage and particle filter, automatic climate control
Options	<ul style="list-style-type: none"> ■ Auxiliary heating system with timer ■ Protective roof grating ■ FOPS protective roof grating ■ Radio with CD player ■ Radio with USB and SD connection, MP3 and Bluetooth function

ATTACHMENTS	
Design	Decades of experience and the latest computer simulations guarantee maximum stability and service life.
Telescopic boom	3-part with pulley head, hydraulic telescoping.
Hoisting winch	Slant-axis hydraulic motor drive with compact planetary gear, 35 kN traction, 0-95 m/min. cable speed, 14 mm cable diameter.
Safety brake	Spring-loaded disk brake
Crane safety	Next-generation load moment monitoring, straightforward panel displaying all important data through SENCON display, lifting limit switch, cable exit protection, pressure relief valves and pipe fracture safety device with Eventrecorder
Cylinders	Hydraulic cylinders with high-quality sealing and guide elements
Options	<ul style="list-style-type: none"> ■ 5 m fly boom with swing-away jib, extremely fast and easy setup without auxiliary devices, locked on basic boom when not in use

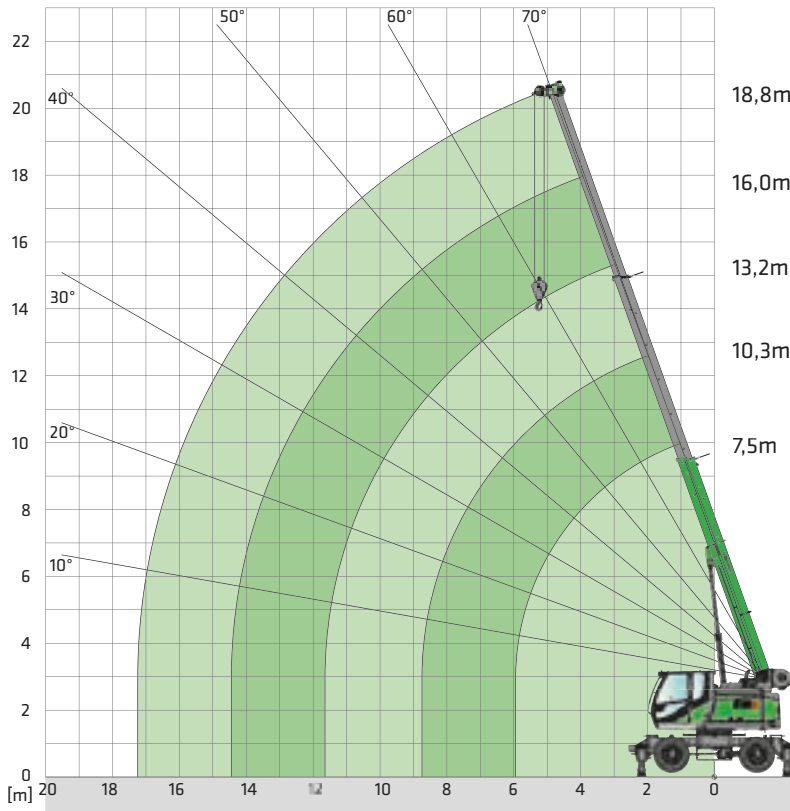
UNDERCARRIAGE	
Design	Stable welded construction, torsion-resistant and precision-crafted. Integrated 4-point outrigger with single actuation
Drive	All-wheel drive and all-wheel steering. Travel drive via 2-stage power shift transmission, pendulum axle cylinder with automatic and manual switching, strong traction and driving dynamics
Parking brake	2-circuit servo braking system and safety parking brake
Traveling gear	Tires: 8x 10.00-20
Speed	0-8 km/h terrain level 0-20 km/h with German motor vehicle regulations approval

OPERATING WEIGHT	
Mass	<p>Approx. 19,700 kg With 18.8 m telescopic boom, 5 m fly boom, 10.5 t hook.</p> <p>Operating weight varies by model.</p>
	

613E Crane equipment



18.8 m main boom (HA)



Notes:

1. The specified load ratings apply when the machine is standing level and firm.
2. Load ratings are specified in tons and apply to a 360° slewing angle. The load ratings apply to the 613 M with deployed outriggers; the load ratings in brackets () apply to free-standing mode
3. The load ratings take into account the standards DIN 15019.2 and ISO 4305
4. The weight of the load handling devices (e.g. hook, suspension gear) must be subtracted from the load ratings.
5. Load ratings must be limited or reduced when conditions are unfavorable, such as soft or uneven ground, slopes, wind, lateral loads, swinging loads, jerking or sudden stopping of load, operator inexperience, driving with load.
6. Permissible rope winch per strand in crane mode for cable diameter 14 mm – 3,500 kg
7. Load ratings indicated with * apply only in the case of special equipment.
8. The specified load ratings are guidelines only. The currently valid load ratings can be found in the tables in the operating manual.



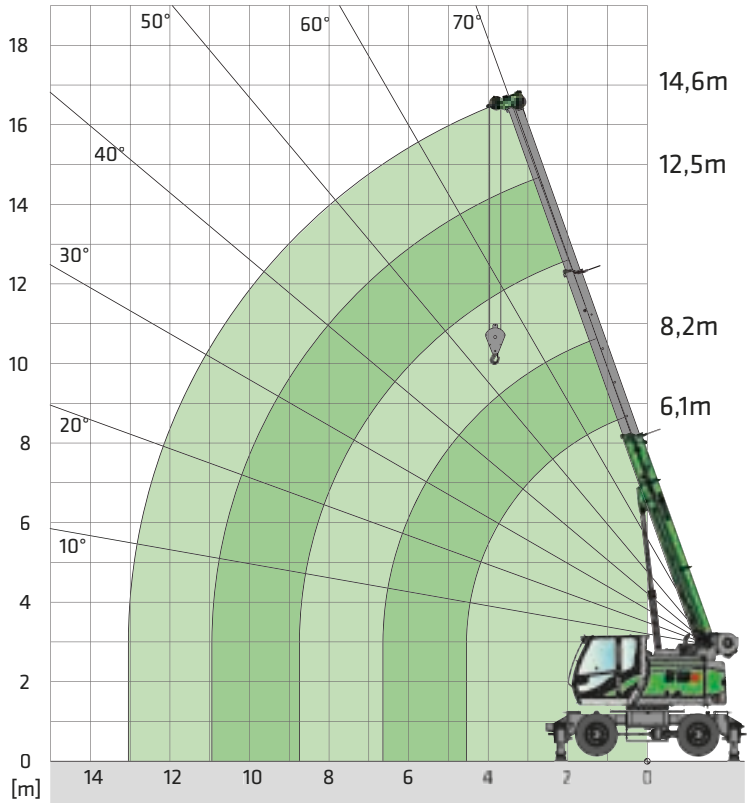
18.8 m main boom (HA)

Outreach [m]	Boom length [m]				
	7.5	10.3	13.2	16	18.8
2.0	15.0 (12.0)				
3.0	13.3 (8.3)	10.0 (8.4)			
4.0	10.6 (5.3)	10.0 (5.3)	8.0 (5.4)		
5.0	8.5 (3.7)	8.6 (3.8)	8.0 (3.8)	6.0 (3.9)	
5.5	7.5 (3.2)	7.6 (3.4)	7.4 (3.4)	6.0 (3.4)	4.5 (3.4)
6.0	5.7 (2.9) / 6.0 m	6.7 (2.9)	6.7 (2.9)	5.9 (2.9)	4.5 (2.9)
7.0		5.2 (2.3)	5.3 (2.3)	5.2 (2.3)	4.5 (2.3)
8.0		4.2 (1.8)	4.3 (1.8)	4.3 (1.8)	4.1 (1.9)
9.0		3.6 (1.5) / 8.8 m	3.5 (1.5)	3.6 (1.5)	3.6 (1.5)
10.0			3.0 (1.2)	3.0 (1.2)	3.0 (1.2)
11.0			2.6 (1.0)	2.6 (1.0)	2.6 (1.0)
12.0			2.4 (0.9) / 11.6 m	2.2 (0.8)	2.3 (0.8)
13.0				2.0 (0.7)	2.0 (0.7)
14.0				1.7 (0.6)	1.7 (0.6)
15.0				1.6 (-) / 14.4 m	1.5
16.0	Table no.: 613M18.8/75/2000/4.1/08.06, boom (deployed outriggers)				1.3
17.0	Table no.: 613M18.8/75/2000/4.1/08.06, boom (free-standing)				1.1 / 17.3 m

613E Crane equipment



14.6 m main boom (HA)



14.6 m main boom (HA)

Outreach [m]	Boom length [m]				
	6.1	8.2	10.3	12.5	14.6
2.0	16.0 (12.0)	13.0 (12.0)			
3.0	13.5 (8.3)	13.0 (8.3)	11.0 (8.4)		
4.0	10.8 (5.3)	10.9 (5.4)	10.5 (5.4)	8.3 (5.4)	6.5 (5.4)
4.5	9.6 (4.4)	9.8 (4.6)	9.6 (4.6)	7.8 (4.6)	6.3 (4.6)
5.0		8.7 (3.9)	8.7 (3.9)	7.2 (3.9)	6.1 (3.9)
6.0		6.8 (2.9)	6.8 (3.0)	6.3 (3.0)	5.3 (3.0)
7.0		5.1 (2.5) / 6.7 m	5.3 (2.4)	5.4 (2.4)	4.6 (2.4)
8.0			4.3 (1.9)	4.4 (1.9)	4.1 (2.0)
9.0			2.7 (1.6) / 8.8 m	3.7 (1.6)	3.7 (1.6)
10.0				3.1 (1.3)	3.1 (1.4)
11.0				2.7 (1.1) / 10.9 m	2.7 (1.1)
12.0	Table no.: 613M-14.6/75/2000/4.1/08.06, boom (deployed outriggers)				2.3 (1.0)
13.0	Table no.: 613M-14.6/75/960/4.1/08.06, boom (free-standing)				2.1 (0.8)



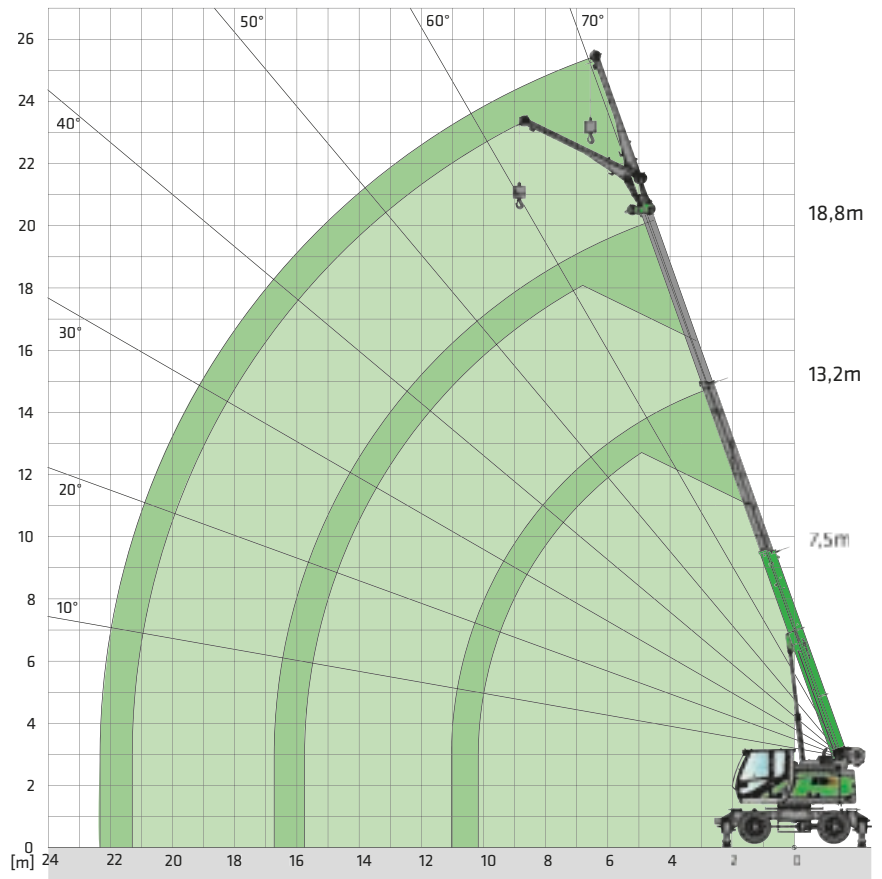
Hook

Capacity	Weight	Cable reeving and maximum load rating					
		5	4	3	2	1	
17.5 t (2-pulley)	180 kg	17,500 kg	14,000 kg	10,500 kg	7,000 kg	3,500 kg	for main boom
10.5 t (1-pulley)	100 kg			10,500 kg	7,000 kg	3,500 kg	for main boom
4 t	40 kg					5,000 kg	for fly boom

613E Crane equipment



5.0 m fly boom (SA)



18.8 m HA



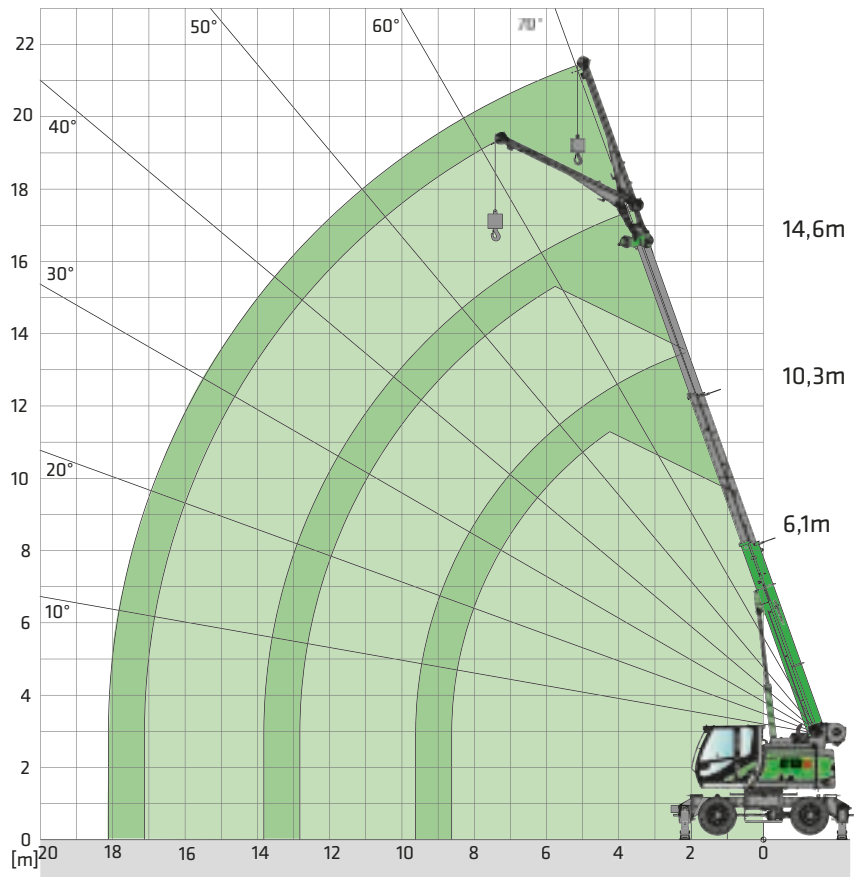
5.0 m SA

Outreach [m]	Telescopic boom length [m]									
	7.5		10.3		13.2		16.0		18.8	
	0°	45°	0°	45°	0°	45°	0°	45°	0°	45°
4.0	3.8 (3.8)		4.4 (4.4)							
5.0	3.3 (3.3)		3.8 (3.8)		4.2 (4.0)					
6.0	2.9 (2.9)	2.0 (2.0)	3.4 (3.1)		3.8 (3.0)		3.8 (3.0)			
7.0	2.5 (2.5)	1.9 (1.9)	3.1 (2.4)	2.0 (2.0)	3.4 (2.4)		3.5 (2.3)		2.7 (2.3)	
8.0	2.2 (2.1)	1.9 (1.9)	2.8 (2.0)	2.0 (2.0)	3.1 (1.9)	2.0 (1.9)	3.2 (1.9)		2.7 (1.8)	
9.0	2.0 (1.7)	1.8 (1.7)	2.5 (1.6)	1.9 (1.6)	2.8 (1.5)	2.0 (1.5)	2.9 (1.5)	1.9 (1.5)	2.6 (1.5)	
10.0	1.9 (1.4)		2.2 (1.3)	1.9 (1.3)	2.5 (1.3)	1.9 (1.3)	2.6 (1.2)	1.9 (1.2)	2.4 (1.2)	1.9 (1.2)
11.0			2.0 (1.1)	1.8 (1.1)	2.3 (1.0)	1.9 (1.0)	2.4 (1.0)	1.9 (1.0)	2.2 (0.9)	1.9 (0.9)
12.0			1.8 (0.9)		2.2 (0.8)	1.8 (0.8)	2.2 (0.8)	1.9 (0.8)	2.0 (0.8)	1.9 (0.8)
13.0			1.8 (0.7)		2.0 (0.7)	1.8 (0.7)	2.0 (0.6)	1.8 (0.6)	1.9 (0.6)	1.8 (0.6)
14.0					1.7 (0.6)		1.7 (0.5)	1.7 (0.5)	1.7	1.7
15.0					1.5		1.5	1.5	1.4	1.4
16.0					1.4		1.3		1.3	1.3
17.0							1.1		1.1	
18.0							1.0		1.0	
19.0	Table no.: 613M-18.8/75/2000/4.1/08.06SA5								0.9	
20.0	Table no.: 613M-18.8/75/960/4.1/08.06SA5								0.7	

613E Crane equipment



5.0 m fly boom (SA)



14.6 m HA



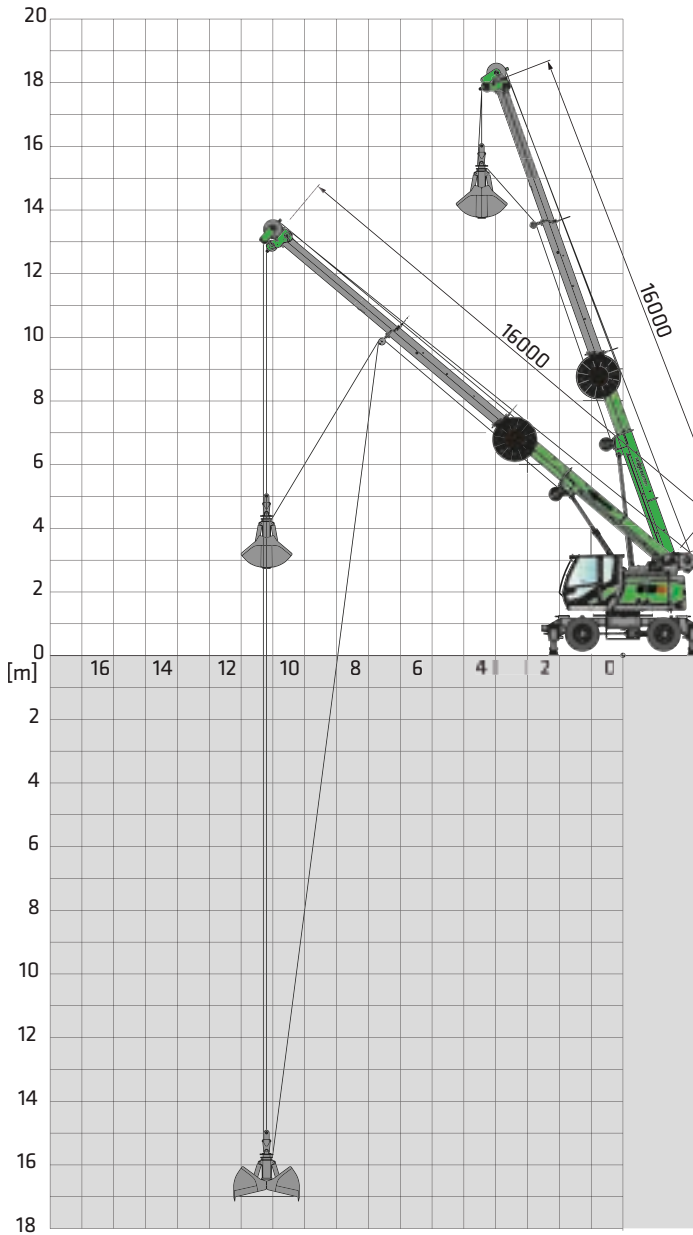
5.0 m SA

Outreach [m]	Telescopic boom length [m]									
	6.1		8.2		10.3		12.5		14.6	
	0°	45°	0°	45°	0°	45°	0°	45°	0°	45°
3.0	4.2 (4.2)									
4.0	3.5 (3.5)		4.0 (4.0)							
5.0	3.0 (3.0)		3.5 (3.5)		3.7 (3.7)		4.0 (4.0)			
6.0	2.6 (2.6)	1.9 (1.9)	3.0 (3.0)	2.0 (2.0)	3.4 (3.1)		3.6 (3.0)		3.5 (3.0)	
7.0	2.2 (2.2)	1.9 (1.9)	2.7 (2.5)	2.0 (2.0)	3.0 (2.4)	2.0 (2.0)	3.3 (2.4)		3.4 (2.4)	
8.0	1.9 (1.9)	1.8 (1.8)	2.4 (2.0)	1.9 (1.9)	2.7 (2.0)	2.0 (2.0)	3.0 (1.9)	2.0 (1.9)	3.0 (1.9)	
9.0	1.8 (1.7)		2.1 (1.7)	1.8 (1.7)	2.5 (1.6)	1.9 (1.6)	2.8 (1.6)	1.9 (1.6)	2.7 (1.6)	2.0 (1.6)
10.0			1.9 (1.4)		2.2 (1.3)	1.9 (1.3)	2.5 (1.3)	1.9 (1.3)	2.5 (1.3)	1.9 (1.3)
11.0			1.8 (1.2)		2.0 (1.1)	1.8 (1.1)	2.3 (1.1)	1.9 (1.1)	2.2 (1.1)	1.9 (1.1)
12.0					1.8 (0.9)		2.0 (0.9)	1.8 (0.9)	2.0 (0.9)	1.9 (0.9)
13.0					1.8 (0.8)		1.9 (0.8)		1.9 (0.7)	1.8 (0.7)
14.0							1.7 (0.6)		1.8 (0.6)	1.8 (0.6)
15.0	Table no.: 613M-14.6/75/2000/4.1/08.06SA5						1.6 (0.5)		1.6 (0.5)	
16.0	Table no.: 613M-14.6/75/960/4.1/08.06SA5								1.4	

613E Grab equipment

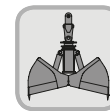


18.8 m main boom (HA)



Notes:

1. The specified load ratings apply when the machine is standing level and firm.
2. Load ratings are specified in tons and apply to a 360° slewing angle. The load ratings apply to the 613 M with deployed outriggers; the load ratings in brackets () apply to free-standing mode
3. The load ratings take into account the standards DIN 15019.2 and ISO 4305



Outreach [m]	Boom length [m]			
	7.5	10.3	13.2	16.0
2.0	12.7			
3.0	11.3	8.5		
4.0	9.0	8.5	6.8	
5.0	7.2	7.3	6.8	5.1
5.5	6.3	6.4	6.3	5.1
6.0		5.7	5.7	5.0
7.0		4.4	4.5	4.4
8.0		3.5	3.6	3.6
9.0			3.0	3.0
10.0			2.5	2.5
11.0			2.2	2.2
12.0				1.8
13.0				1.7
14.0				1.4
15.0				
16.0				

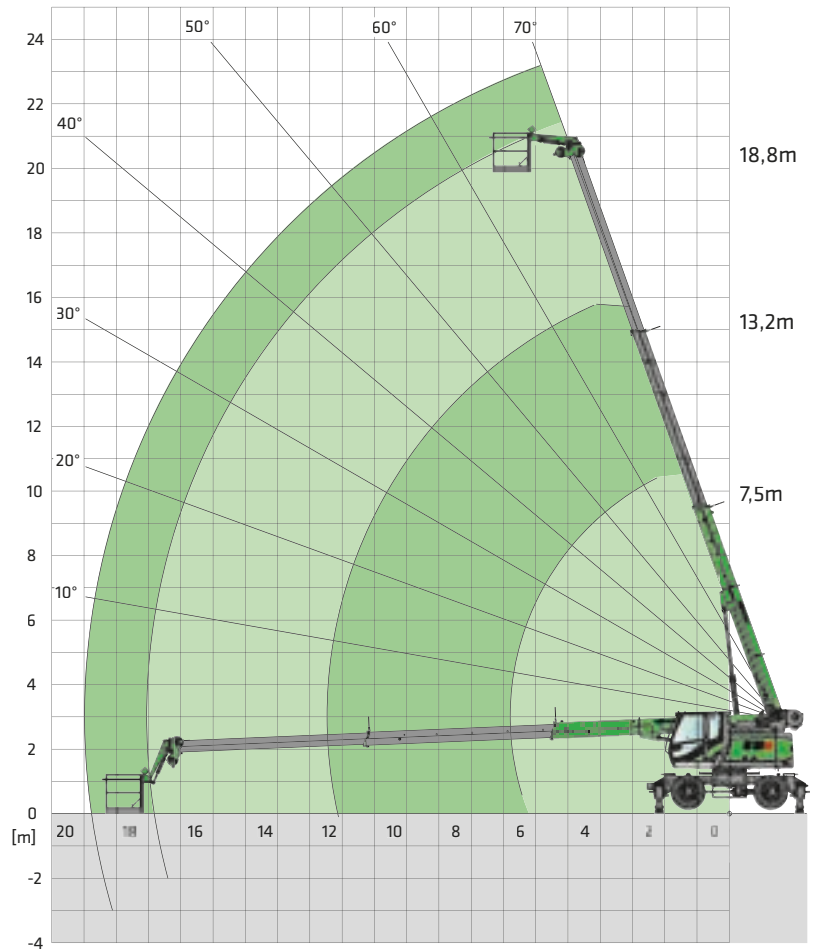
613E Work platform



**Work platform
18.8 m HA**

The permitted load capacity for the work platform is 350 kg:

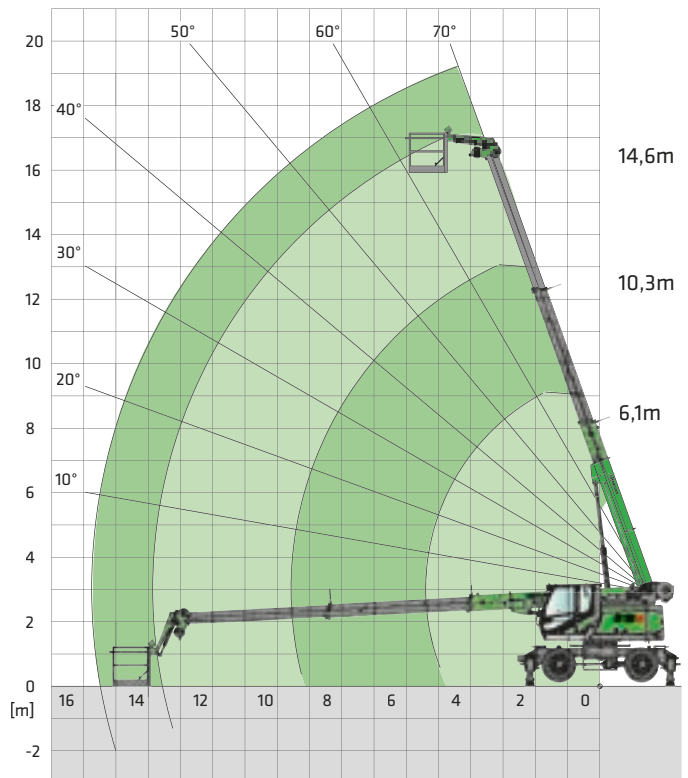
2 persons of 80 kg each + 190 kg additional load.



**Work platform
14.6 m HA**

The permitted load capacity for the work platform is 350 kg:

2 persons of 80 kg each + 190 kg additional load.



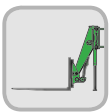
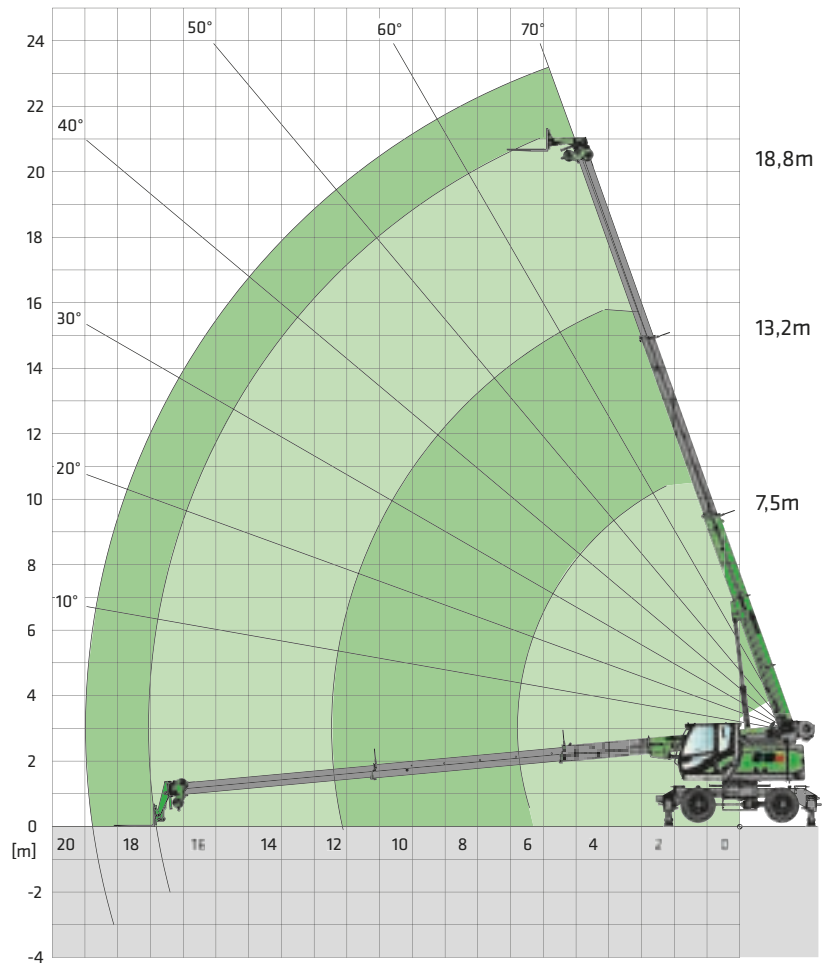
613E Lift fork equipment



7.5-18.8 m lift fork

Notes:

1. The specified load ratings apply when the machine is standing level and firm
2. Load ratings are specified in tons and apply to a 360° slewing angle.
3. The load ratings take into account the standards DIN 15019.2 and ISO 4305.
4. The load ratings apply to loads placed in the center of the lift fork with a center of gravity that is 500 mm from the fork carriage.
5. Load ratings must be limited or reduced when conditions are unfavorable, such as soft or uneven ground, slopes, wind, lateral loads, swinging loads, jerking or sudden stopping of load, operator inexperience, driving with load
6. The load ratings apply when the outriggers are deployed.
7. The load ratings in brackets () apply to free-standing operation.
8. The specified load ratings are guidelines only. The currently valid load ratings can be found in the tables in the operating manual.



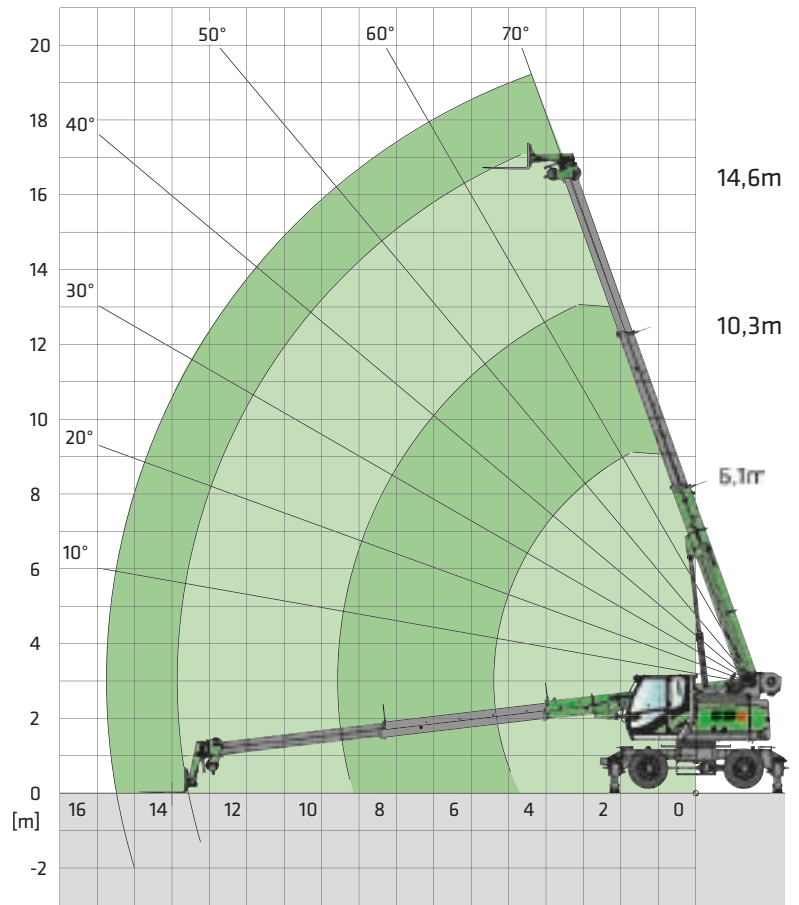
7.5-18.8 m lift fork

Outreach [m]	Boom length [m]				
	7.5	10.3	13.2	16	18.8
2.0	2.5 (1.53)				
3.0	2.5 (1.53)	1.3 (0.63)			
4.0	2.5 (1.53)	1.3 (0.63)	0.9		
4.5	2.5 (1.53)	1.3 (0.63)	0.9	0.6	
5.0	2.5 (1.53)	1.3 (0.63)	0.9	0.6	0.5
6.0	2.5 (1.53)	1.3 (0.63)	0.9	0.6	0.5
7.0	2.5 (1.53)	1.3 (0.63)	0.9	0.6	0.5
8.0	2.5/7.5 (1.53)/7.5	1.3 (0.63)	0.9	0.6	0.5
9.0		1.3 (0.63)	0.9	0.6	0.5
10.0		1.3 (0.63)	0.9	0.6	0.5
11.0		1.3/10.3 (0.63)/10.3	0.9	0.6	0.5
12.0			0.9	0.6	0.5
13.0			0.9/13.2	0.6	0.5
14.0				0.6	0.5
15.0				0.6	0.5
16.0				0.6	0.5
17.0					0.5
18.0	Table no.: 613M-18.8/75/2000(960)/4.1/08.06				0.5/18.8
I	0%	25%	50%	75%	100%
II	0%	25%	50%	75%	100%

613E Lift fork equipment



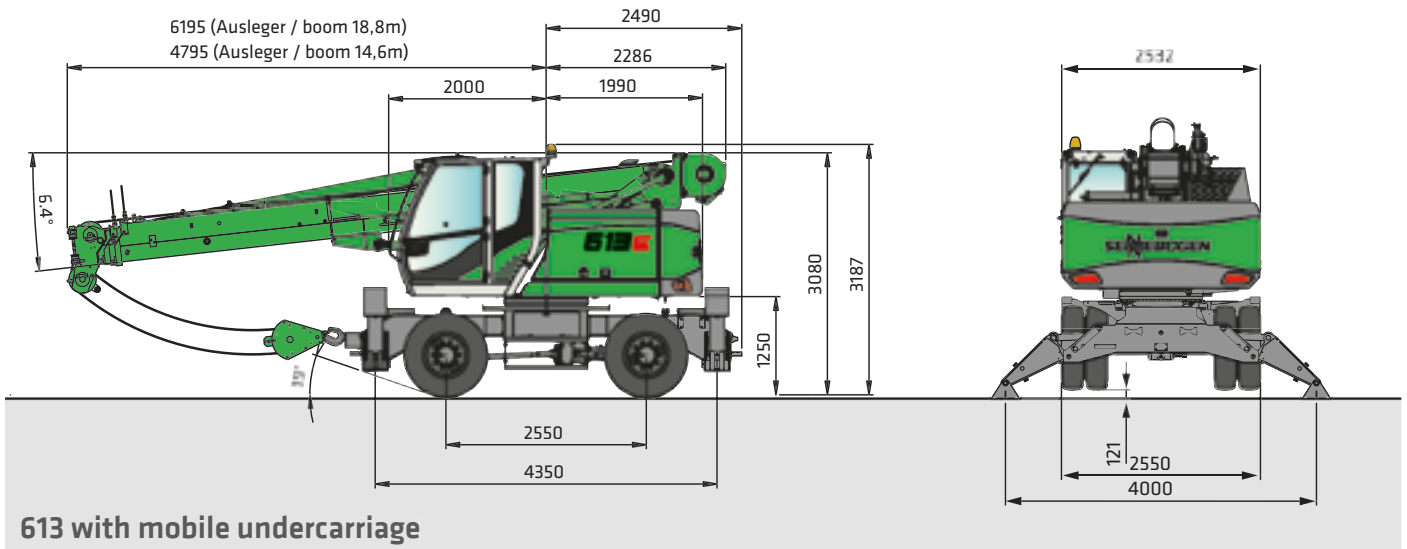
6.1-14.6 m lift fork



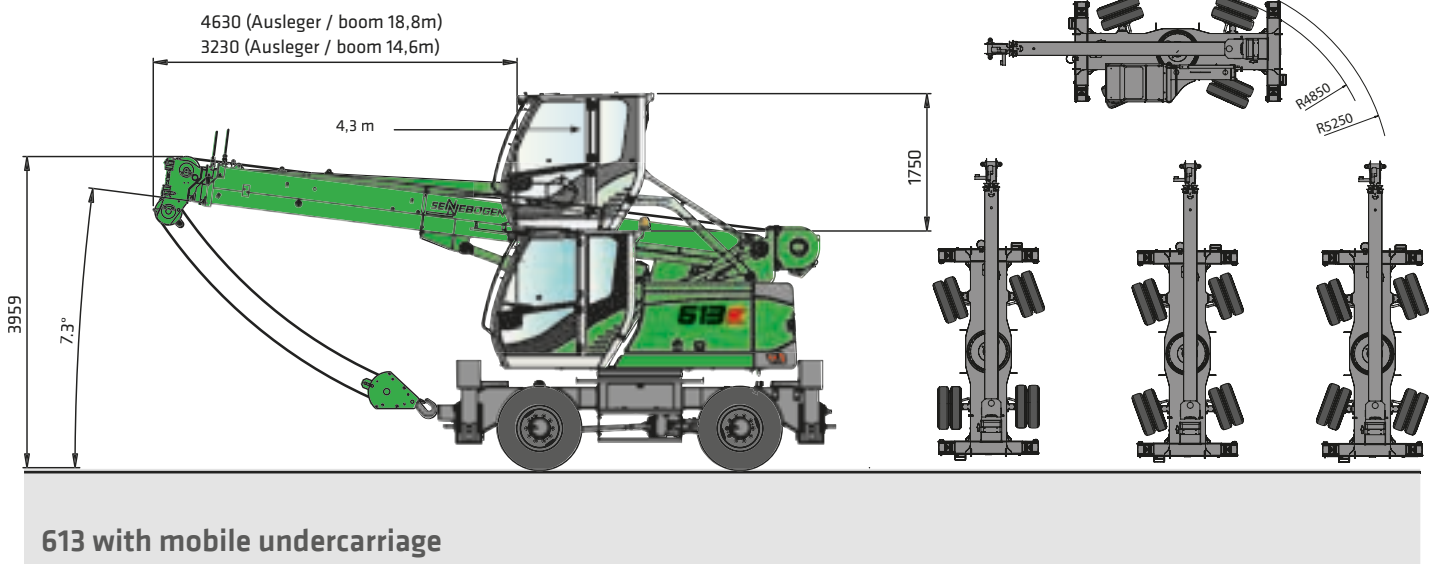
6.1-14.6 m lift fork

Outreach [m]	Boom length [m]				
	6.1	8.2	10.3	12.5	14.6
2.0	3.0 (2.0)				
3.0	3.0 (2.0)	1.8 (1.28)			
4.0	3.0 (2.0)	1.8 (1.28)	1.4 (0.7)		
4.5	3.0 (2.0)	1.8 (1.28)	1.4 (0.7)	1.0 (0.37)	
5.0	3.0 (2.0)	1.8 (1.28)	1.4 (0.7)	1.0 (0.37)	0.6
6.0	3.0 (2.0)	1.8 (1.28)	1.4 (0.7)	1.0 (0.37)	0.6
7.0		1.8 (1.28)	1.4 (0.7)	1.0 (0.37)	0.6
8.0		1.8 (1.28)	1.4 (0.7)	1.0 (0.37)	0.6
9.0		1.8/8.2 (1.28) / 8.2	1.4 (0.7)	1.0 (0.37)	0.6
10.0			1.4 (0.7)	1.0 (0.37)	0.6
11.0			1.4/10.3 (0.7)/10.3	1.0 (0.37)	0.6
12.0				1.0 (0.37)	0.6
13.0				1.0/12.5 (0.37)/12.5	0.6
14.0					0.6
15.0					0.6/14.6
16.0					
17.0					
18.0	Table no.: 613M-14.6/75/2000(960)/4.1/08.06				
I	0%	25%	50%	75%	100%
II	0%	25%	50%	75%	100%

613E Transport dimensions

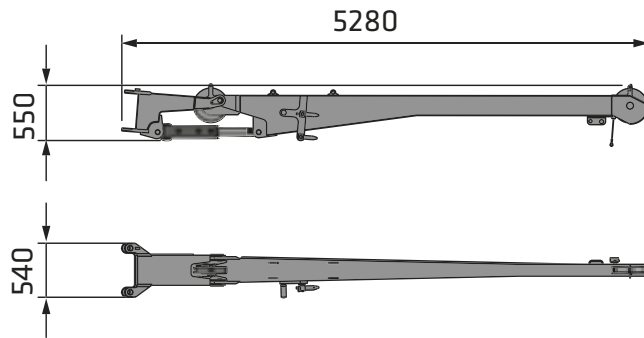


Turning radius

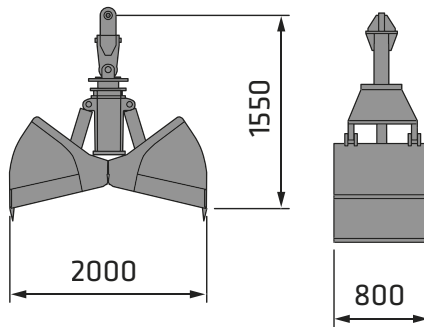


613E Attachments

5 m fly boom

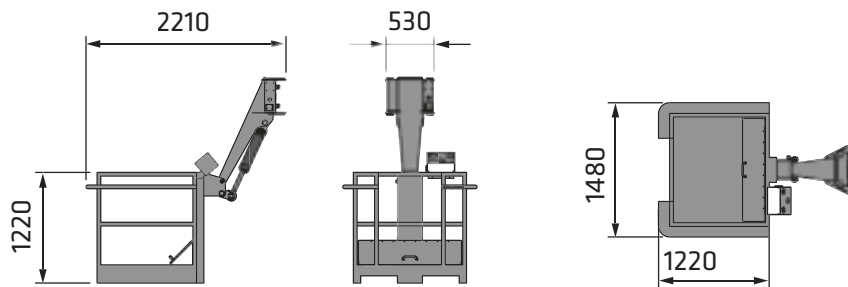


Hydraulic grapple with teeth and drainage holes

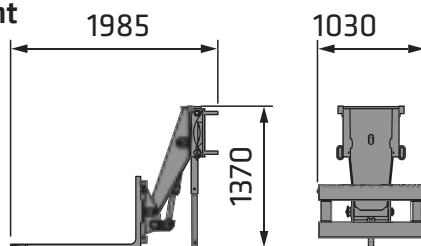


Weight	Capacity
kg	liters
750	600

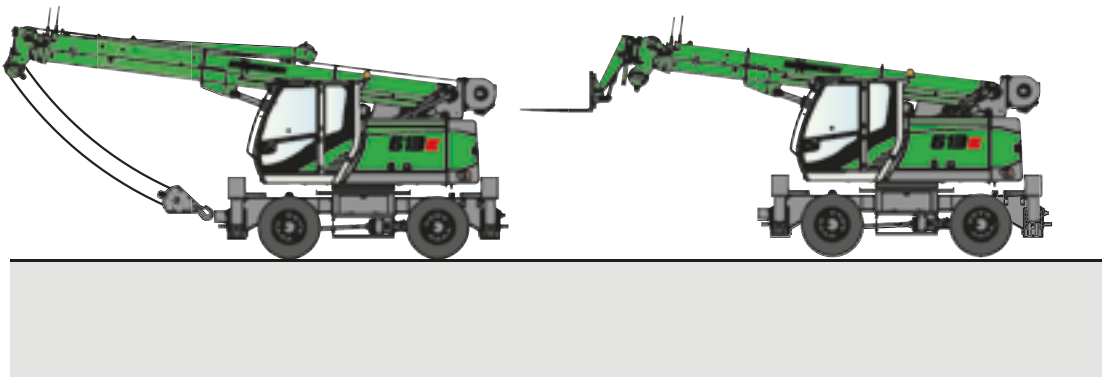
Work platform



Lift fork attachment



613E





The 613 E Mobile optimizes construction site logistics during the process of completing a detached house in Germany.



The 613 E Mobile being used for lifting activities and logistics tasks at a railway construction site

613E Notes

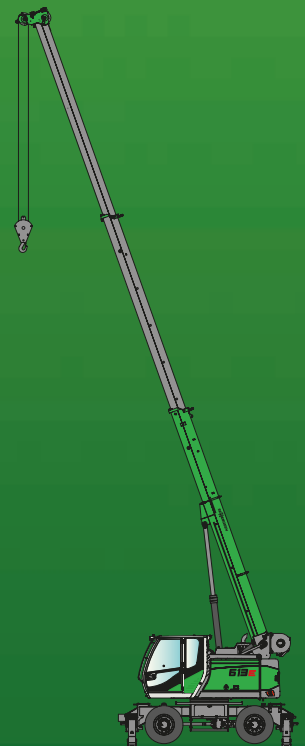
A large grid of graph paper for taking notes, consisting of 20 columns and 30 rows of small squares.

613E Notes

A large grid of graph paper for taking notes, consisting of 20 columns and 30 rows of small squares.

613E

M



This catalog describes machine models, scopes of equipment of individual models, and configuration options (standard equipment and optional equipment) of the machines supplied by SENNEBOGEN Maschinenfabrik GmbH. Machine illustrations can contain optional equipment and supplemental equipment. Actual equipment may vary depending on the country to which the machines are delivered, especially in regard to standard and optional equipment. All product designations used may be trademarks of SENNEBOGEN Maschinenfabrik GmbH or other supplying companies, and any use by third parties for their own purposes may violate the rights of the owners.

Please contact your local SENNEBOGEN sales partner for information concerning the equipment variants offered. Requested performance characteristics are only binding if they are expressly stipulated upon conclusion of the contract. Delivery options and technical features are subject to change. Errors and omissions excepted. Equipment is subject to change, and rights of advancement are reserved. © SENNEBOGEN Maschinenfabrik GmbH, Straubing, Germany. Reproduction in whole or in part only with written consent of SENNEBOGEN Maschinenfabrik GmbH, Straubing, Germany.

SENNEBOGEN

SENNEBOGEN
Maschinenfabrik GmbH
Sennebogenstraße 10
94315 Straubing, Germany

Tel. +49 9421 540-144/146
Fax +49 9421 43 882
marketing@sennebogen.de

Order no. 295178
613M-R-E-081715

GO FOR GREEN

 www.sennebogen.com